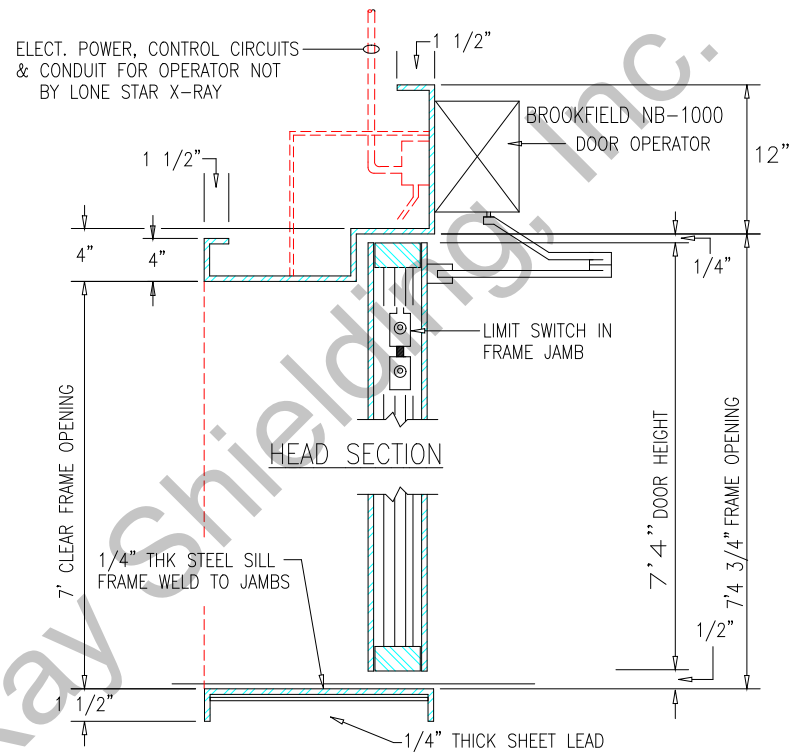
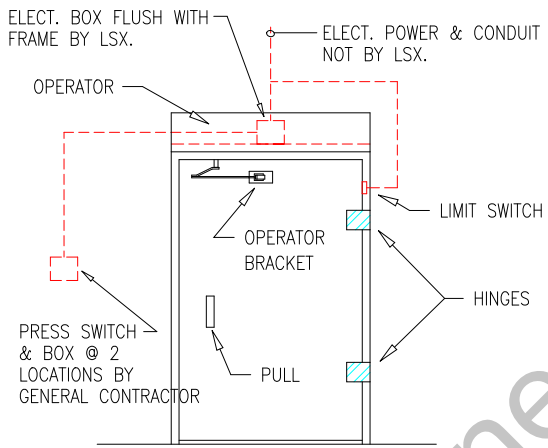


LONE STAR X-RAY NEUTRON SHIELD DOOR HORIZ. SECT. - JAMBS



LONE STAR X-RAY NEUTRON SHIELDING DOOR VERT. SECT.



DOOR ELEVATION

**NOTES:**

1. AUTOMATIC OPERATOR FURNISHED & INSTALLED BY LSX SUBCONTRACTOR W/ PRESS WALL SWITCHES.
2. DOOR & FRAME FURNISHED SANDBLASTED & PRIME COATED BY LSX, FINISH COATS BY OTHERS.
3. STEEL DOOR FRAME FURNISHED BY LSX, INSTALLED BY GENERAL CONTRACTOR.
4. NEUTRON SHIELD DOOR FURNISHED & INSTALLED BY LSX.

THIS DOCUMENT AND THE INFORMATION CONTAINED HEREON IS PROPERTY OF LONE STAR X-RAY, AND MAY NOT BE ALTERED, COPIED, USED FOR MANUFACTURE, OR COMMUNICATED TO ANY OTHER PERSON WITHOUT THE WRITTEN PERMISSION OF LONE STAR X-RAY.

JOB	DWG NO.	REV
JOB NAME	LONE STAR X-RAY SHIELDING NEUTRON SHIELDING DOOR DETAILS	
DATE	SCALE N.T.S.	FILE NO. BLANK
DATE	SHEET 1 OF 1	L.M.

Insert Customer Name  
 LONE STAR X-RAY SHIELDING, INC.  
 P.O. BOX 2176 SPLENDORA, TX 77372