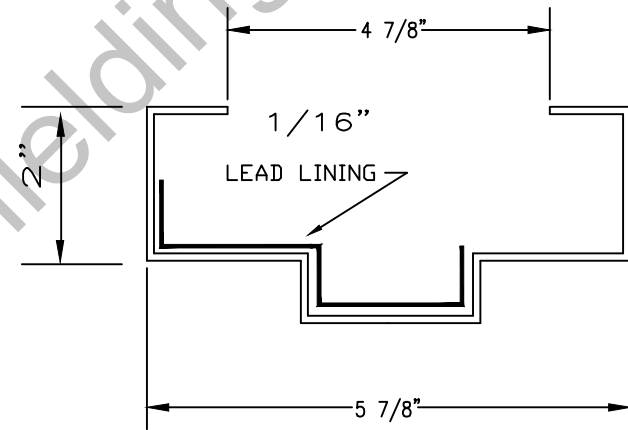


LEAD LINED  
HOLLOW METAL  
DOOR FRAME



FRAME SECTION  
DETAIL

Lone Star X-Ray Shielding, Inc.

THIS DOCUMENT AND THE INFORMATION CONTAINED  
HEREON IS PROPERTY OF LONE STAR X-RAY, AND  
MAY NOT BE ALTERED, COPIED, USED FOR MANUFACTURE  
OR COMMUNICATED TO ANY OTHER PERSON WITHOUT  
THE WRITTEN PERMISSION OF LONE STAR X-RAY.

JOB	DWG NO.		REV
DATE	HOLLOW METAL DOOR FRAME DETAILS		
SCALE N.T.S.	FILE NO.	SHEET 1 OF 1	L.M.

LONE STAR X-RAY SHIELDING  
P.O. BOX 2176 SPLENDORA, TX 77372