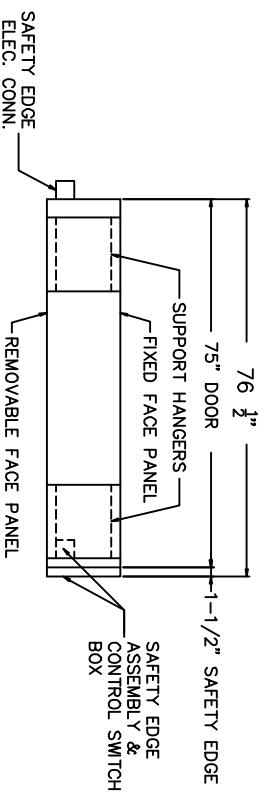
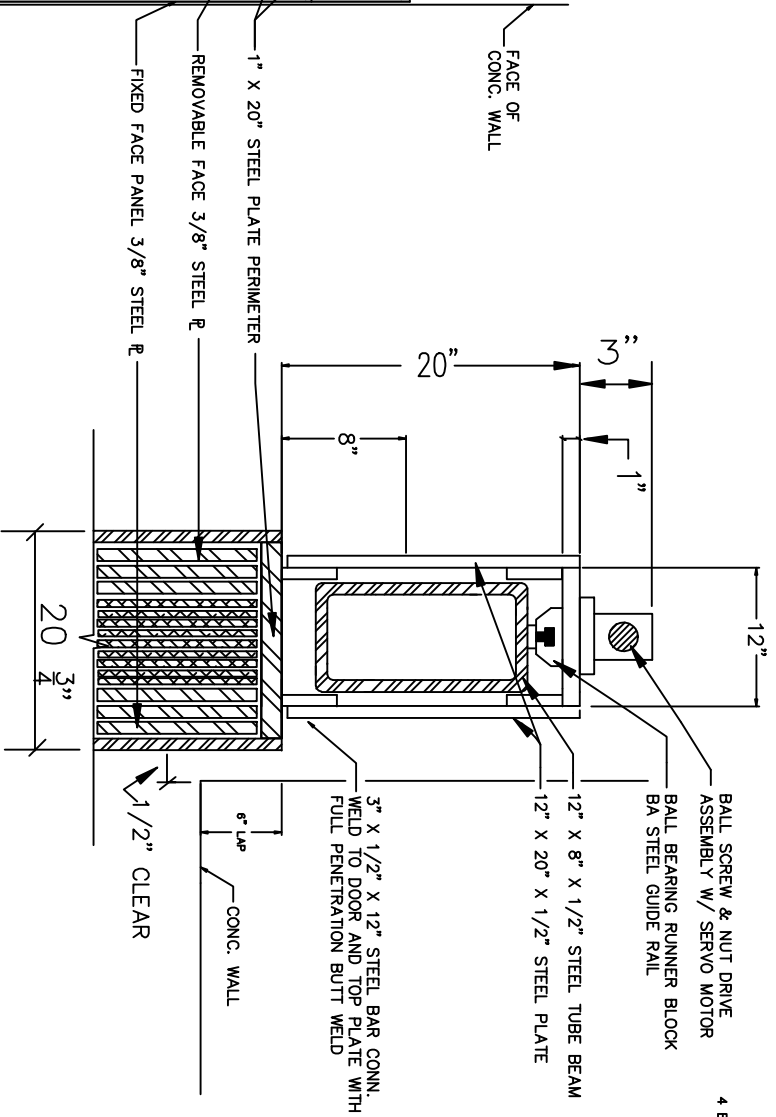


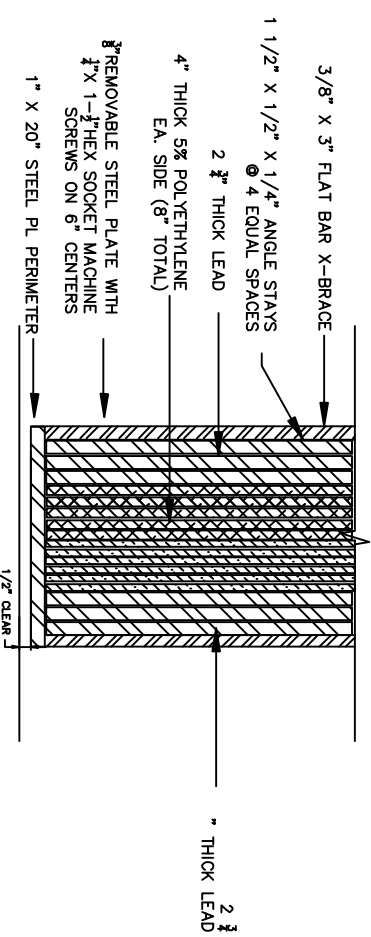
FACE PANEL - REMOVABLE EDGE
DOOR ELEVATIONS
SCALE 1/2" = 1'-0"



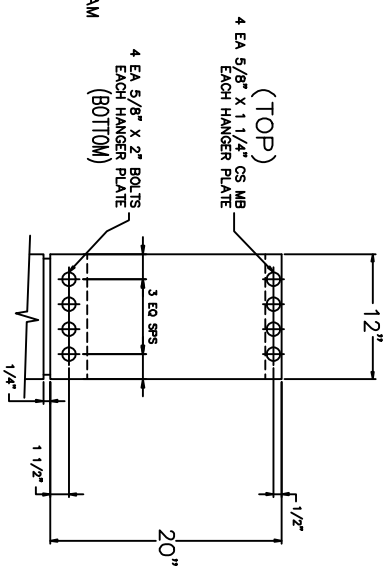
SUPPORT HANGER PLAN



HEAD & HANGER DETAIL
SCALE NTS



SILL DETAIL
DOOR SECTION ①
SCALE NTS



HANGER ELEVATION
SCALE NTS

LONE STAR X-RAY
SHIELDING
P.O. BOX 2176
SPLENDORA, TX 77372

DATE
4/22/2010
SHEET
2

SCALE
NTS

CUSTOMER DRAWING NO.

REV.
L.N.